



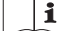
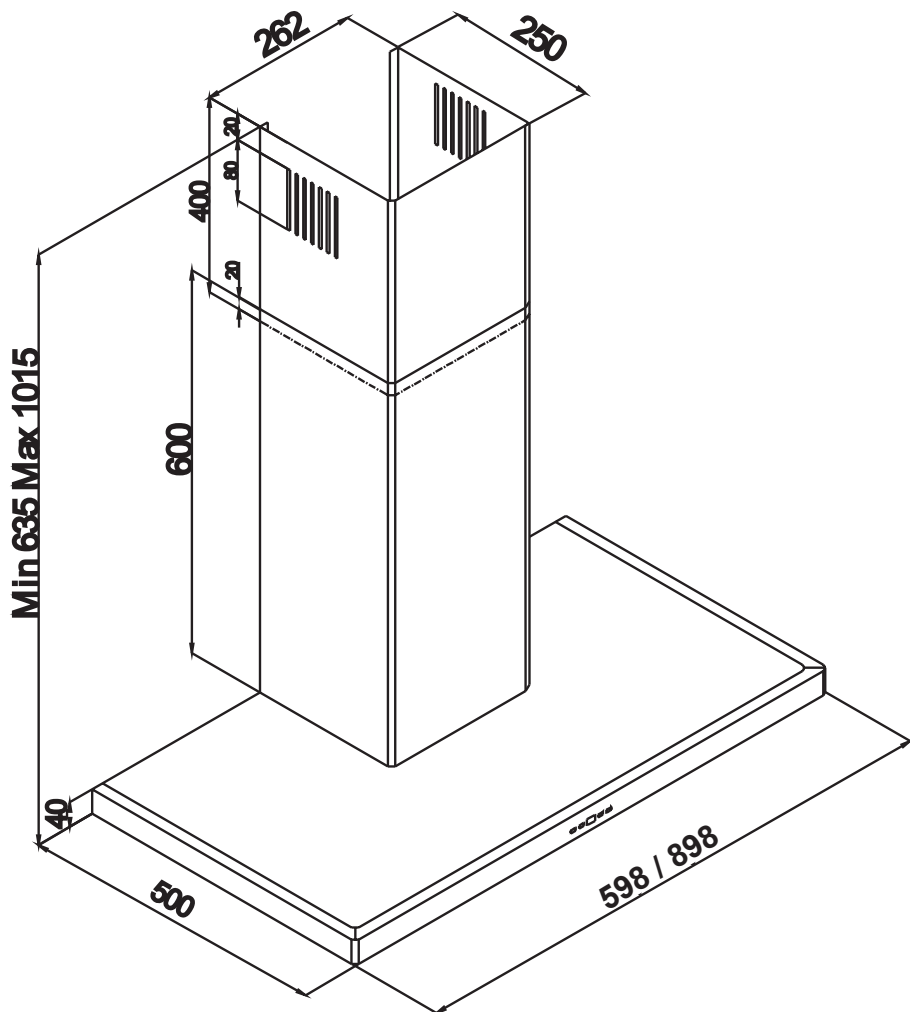




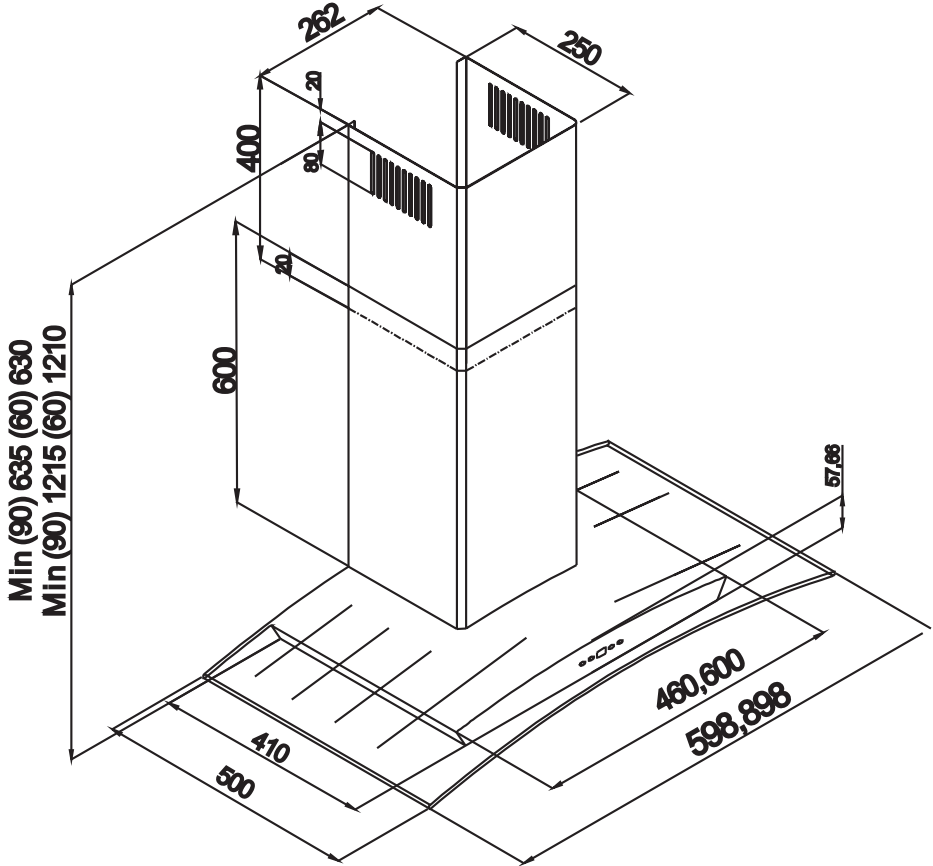
EFV 3260-92 X
EFV 3290-92 X
EFV 3460-92 X
EFV 3490-92 X

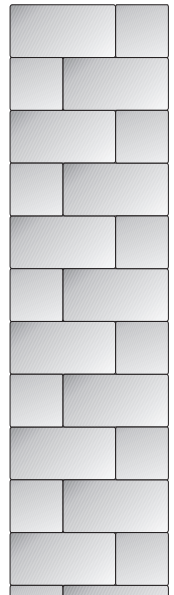
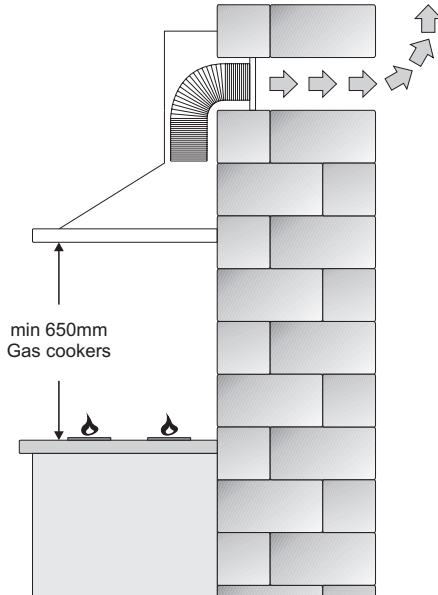
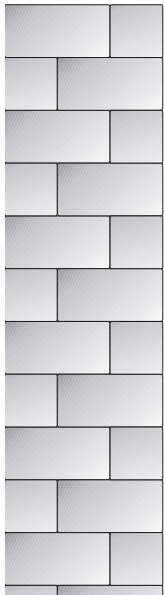
INSTRUCTION MANUAL - KITCHEN EXTRACTOR HOOD	EN	8
 i <i>Before using the appliance, please carefully read this manual!</i>		
BETJENINGSVEJLEDNING - EMFANG	DA	16
 i <i>Læs denne vejledning omhyggeligt, før apparatet tages i brug!</i>		
KÄYTTÖOHJE - LIESITUULETIN	FI	24
 i <i>Lue tämä opas huolellisesti ennen laitteen käyttöä!</i>		
BRUKSANVISNING - FLÄKT	SE	32
 i <i>Läs bruksanvisningen noga innan du börjar använda fläkten!</i>		
BRUKSANVISNING - KJØKKENHETTE	NO	40
 i <i>Les nøye igjennom denne bruksanvisningen før du bruker produktet!</i>		

EFV 3460-92 X
EFV 3490-92 X



EFV 3260-92 X
EFV 3290-92 X

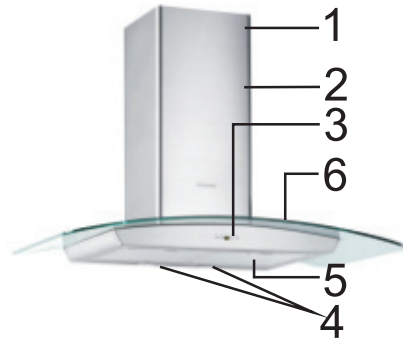




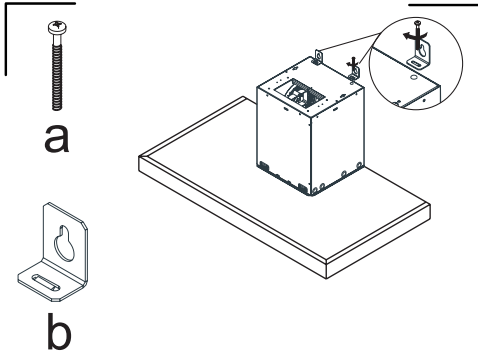
1

EFV 3460-92 X
EFV 3490-92 X

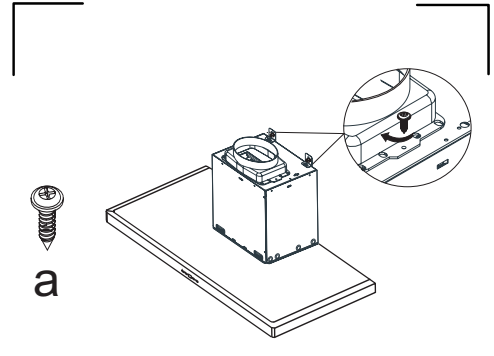
EFV 3260-92 X
EFV 3290-92 X



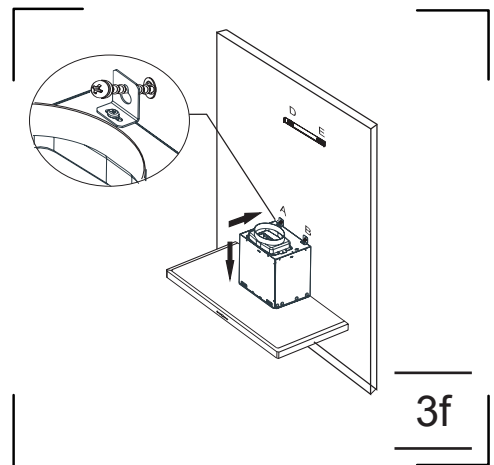
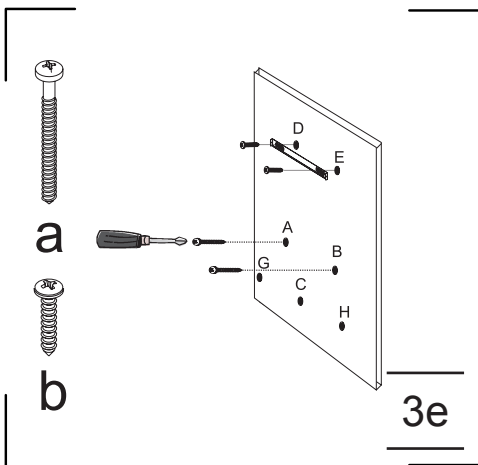
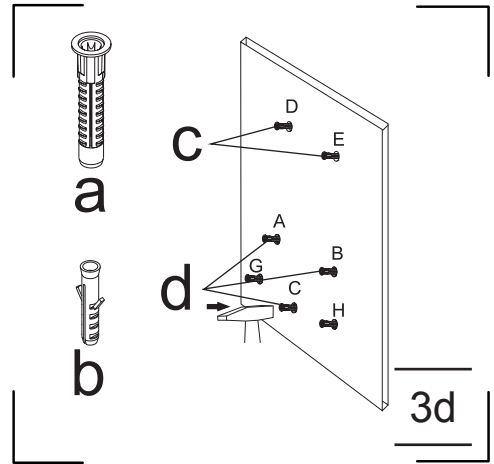
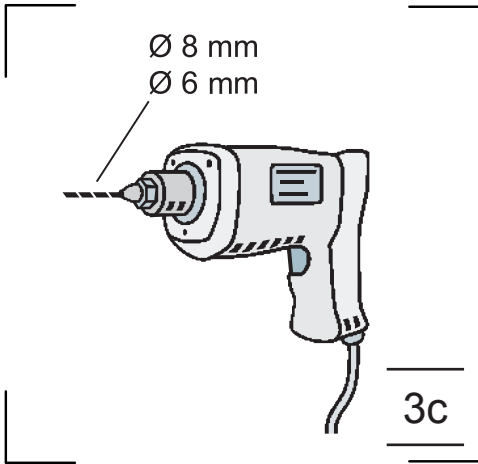
2

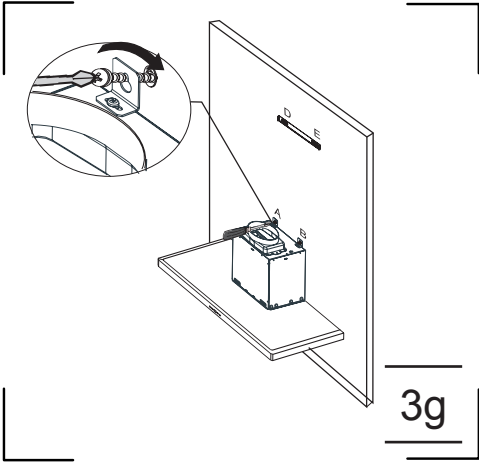


3a

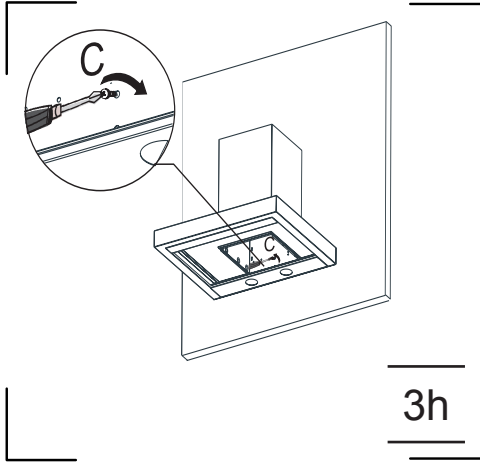


3b

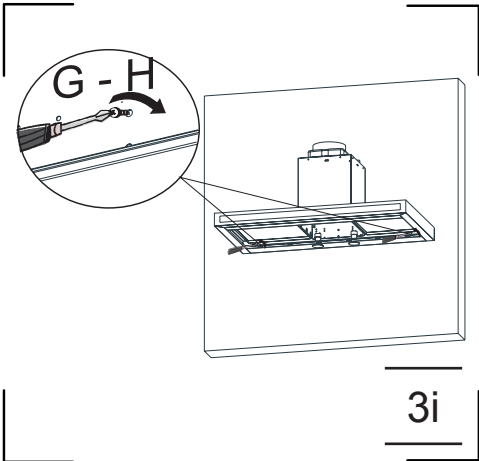




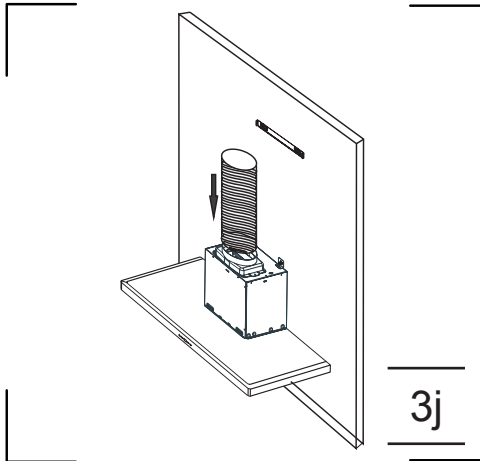
3g



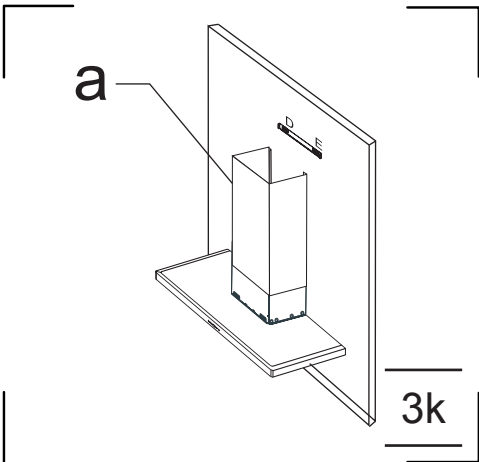
3h



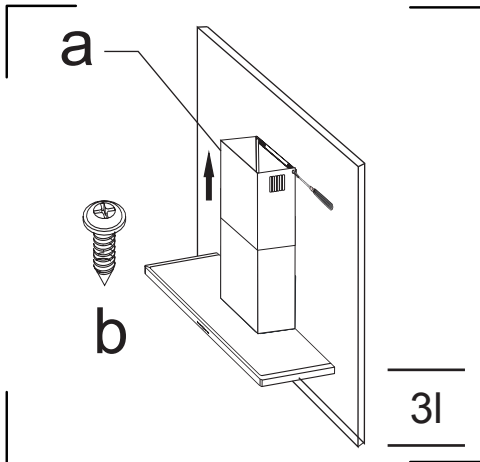
3i



3j



3k



3l

1st Speed

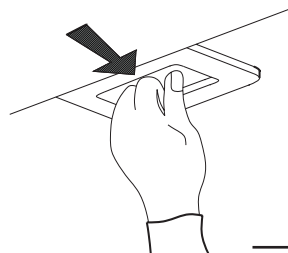
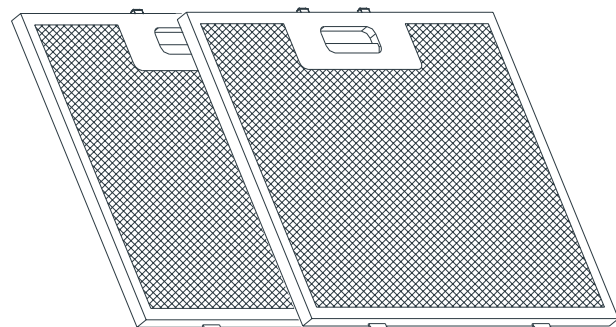
2nd Speed

3rd Speed

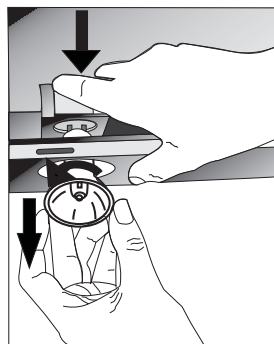
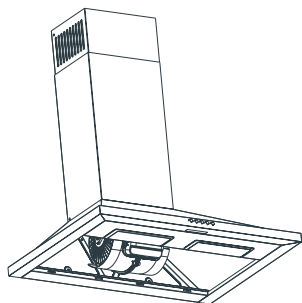
Lamp Button



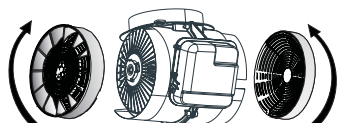
4



5



7



6

THANK YOU FOR PURCHASING AN GRAM APPLIANCE

EN

DEAR CUSTOMER!

You are now a user of a kitchen extractor hood. This hood has been designed and manufactured specially with a view to satisfying your expectations and it will certainly constitute a fitting element of a modern kitchen. The modern structural solutions and the newest technologies used in production of this hood guarantee its high effectiveness and good appearance.

Please read these instructions carefully before installing the hood. They will help you avoid mistakes during installation and operation of the hood.

We wish you a lot of satisfaction from choosing our kitchen extractor hood.

Symbols appearing in these instructions have the following meaning:



Important information concerning proper operation of the appliance and your personal safety.



Tips on how to use the appliance.



Risks resulting from improper operation of the appliance. Activities that must be performed by a qualified technician.



Information on how to protect the environment.



This indicates actions that must not be performed by the user.

TABLE OF CONTENTS

GUIDELINES CONCERNING THE SAFETY OF USE	9
INSTALLATION	12
OPERATION AND MAINTENANCE	13
ENVIRONMENTAL PROTECTION	15



The appliance is intended for household use only.

The manufacturer reserves the right to introduce changes which do not affect the operation of the appliance.



●The manufacturer will accept no responsibility for any damage due to installation or operation not conforming to these instructions

●Cooker hood is designed to remove cooking odours. Do not use cooker hood for other purposes.



●Connect the cooker hood operating in extraction mode to a suitable ventilation duct (do NOT connect the cooker to smoke or flue gas ducts, which are in use). It requires installation of the air extraction duct to the outside. The duct length (typically 120 or 150mm in diameter) should not exceed 4-5 m. The air exhaust duct is also required for telescopic and under furniture cooker hoods operating in air recirculation mode.

●Cooker hood operating in air recirculation mode requires the installation of an activated charcoal filter. In this case, installing an extractor duct is not required, however it is recommended to install an air guide vane. (chimney cooker hoods only).



●The cooker hood features independent lighting and exhaust fan that can be operated at one of several speeds.



●Depending on the type, the hood is designed to be permanently attached to a vertical wall over a gas or electric stove (chimney and universal hoods); on the ceiling over a gas or electric stove (island hoods); on the vertical built in furniture over a gas or electric stove (telescopic and built-in hoods). Before installing, make sure that the wall/ceiling structure is strong enough to suspend the hood. Some hoods are very heavy.



●For details of the installation distance above an electric hob please refer to product technical sheet. If the installation instructions of the gas cooker specify a greater distance, this must be taken into account (Fig. 1).



●Do not leave an open flame under the hood. When the pots are removed from the burner, set the minimum flame. Always make sure that the flame does not ex-

tend outside the pot, because it causes unwanted loss of energy and a dangerous concentration of heat.



- Any food cooked in fat shall be constantly monitored, since overheated fat can ignite very easily.

- Pull the plug of the power cord from a wall socket before any filter cleaning or repair operation.



- The textile grease filter should be replaced, and the aluminium filter should be cleaned at least every one month in connection with the existing fire danger (saturated fat is very flammable).

- If any other non-electric devices are used in the same room as the hood (e.g. liquid fuel ovens, flow-through or volumetric water heaters), it is necessary to provide appropriate ventilation (air supply). Safe operation is possible when during simultaneous operation of the hood and combustion devices dependent on air supply the negative pressure of not more than 0.004 milibar is



maintained at the location of these devices inside the room (this point does not apply when the hood is used as an odour absorber).

- Do not lean on hood

- The hood should be frequently cleaned inside and on the outside surfaces (at least once a month). See "Cleaning section" in this manual.

- If the power wire gets broken, it should be replaced with a new one in a specialist repair shop.

- Make sure the appliance can be easily disconnected from the mains, either by pulling the plug out of the mains socket, or by switching the two-pole switch off.

- This appliance is not intended for use by persons (including children) with reduced physical, sensory or mental capabilities, or lack of experience and knowledge, unless they have been given supervision or instruction concerning use of the appliance by a person responsible for their safety.

- Children should be su-

GUIDELINES CONCERNING THE SAFETY OF USE



- pervised to ensure that they do not play with the appliance.
- Check if the voltage indicated on the rating plate corresponds to the local power supply parameters.
 - Before installing unwind and straighten the power cord.
 - Warning! The packaging materials (polyethylene bags, small pieces of foamed poly-

styrene etc.) should be kept away from children while unpacking.

- NOTE: Before connecting the hood to the mains power supply always check that the power cord is properly installed and is not trapped by the appliance. It is recommended to make sure the hood operates correctly before installation.

Elements

Kitchen hood consists of the following elements (Fig. 2):

1. Internal Chimney
2. External Chimney
3. Control Panel
4. Cooker Lighting
5. Aluminum Cassette Filter
6. Tempered Glass (depend on model)

Installation, unpacking the product:

- Check if there is any damage to the product.
- Transportation damage should be immediately reported to the shipping company.
- If you notice any damage please report to the seller.
- Do not allow children to play with packing material!!!

Installing the support bracket

There are 2 L shaped support brackets to install your product, provided with screws. Fix brackets on the product body using M5 x 35 screws into M5 turn screws (figure 3a).

- a) M5 x 35 YSB
- b) L shaped support brackets

Install plastic duct

Mount plastic duct on top of motor compartment using 3,5x9,5 screws (figure 3b).

Drill mounting holes Ø 6 mm

Attach mounting template on the wall and drill holes at points marked as A,B,C using Ø8 mm drill bit. To install enclosure, use driller by taking reference of min./max. height dimensions (figure 3c).

WARNING : During drilling of the hanging holes, pay attention to the diameter of the holes to be used for hanging the hood. If the diameters of hanging holes are not as indicated, the hood cannot be assembled properly.

Wall plugs

Drive Ø10 mm wall plugs into Ø8 mm A,B,C holes. Place Ø6 mm wall plug in two Ø6 mm holes (Figure 3d). Drill holes at points marked as G,H and drive Ø10 mm wall plugs in them.

- a) 10 mm Plastic wall plug
- b) 6 mm Plastic wall plug
- c) Outlet Connection Holes Ø 6 mm
- d) Hood hanging holes Ø 8 mm

Enclosure support bracket screws;

Drill holes in the wall using a Ø6 mm drill-bit. Fix the enclosure support bracket using 3,9 x 22 Ysb screws and Ø6 mm plastic wall plugs. Drill holes in the wall using a Ø10 mm drill-bit. Fix 2 pcs of 5,5 x 60 Ysb screws at A,B points in Ø10 mm plastic wall plugs. The screws should protrude from the wall about 5 mm (Figure 3e).

- a) 5,5 x 60 Ysb Screw
- b) 3,9 x 22 Ysb Screw

Placing cooker hood on the wall

Hang L shaped support brackets on A and B points (figure 3f)

Tighten the hanging screws:

Using a screwdriver tighten screws to fix the product. You may use the M5x40Ysb screws to make fine adjustment of hood parallel alignment (figure 3g).

Note: You may make fine adjustments to parallel alignment by easing M5 screws on the top.

Tighten the Hanging Screws:

Fix product onto wall at point C with 5,5x60 Ysb screw in order to ensure your product is safely installed (figure 3h).

Fix product onto wall at point G,H with 5,5x60 screws in order to ensure your product is safely installed (figure 3i)

Installing aluminium flexible duct:

Connect aluminium flexible duct to outlets on the product and kitchen wall.

Please make sure that this connection is strong enough not to break when the hood operates at highest fan speed (figure 3j).

Installing the lower duct enclosure:

Place upper enclosure onto lower enclosure. Place enclosure onto motor box and push it downward. Make sure that the connection between the body and motor box is tight (figure 3k).

- a) Lower duct enclosure

Installing the upper duct enclosure:

Push upper enclosure up through the lower enclosure. Fix the enclosure with 3,5 x 9,5 nickel covered screws (figure 3l).

- a) Upper duct enclosure
- b) 3,5 x 9,5 RYSB Nickel Screw

When hood installation is complete, check all the connections before turning it on. Please take off the protective film from your product.

Setting the air extractor mode of operation of the hood

In the extractor mode air is discharged to the outside by a special conduit. In that setting any carbon filters shall be removed. The hood should be connected to the opening discharging air to the outside by means of a rigid or flexible conduit of 120 mm diameter, which should be purchased in a shop selling installation materials.

A qualified installer should be commissioned to make the connection.

Setting the odour absorber mode of operation of the hood

In this option filtered air returns to the room through openings in the front of the hood. In this setting it is necessary to install the carbon filter. It is recommended to install the air guide (availability depending on model).

Use control panel to control your cooker hood (Fig. 4)

Speed choice

The appliance has 3 fan speeds. Depending on cooking intensity and the amount of steam, you can choose low, medium or high fan speed. Buttons on the front panel are used for turning the appliance on.

Please turn on hob and hood at the same time to provide effective circulation. Allow the appliance to run for a while after cooking is finished, so the remaining odour and steam will be absorbed.

Lighting

The product has 2 lamps and one lamp button to operate light. Press lamp button in order to turn on the light.

Maintenance

Regular maintenance and cleaning of the device will ensure faultless operation, and help extend the life of the unit. Attention should be paid to replacing grease and carbon filters according to instructions.

Aluminium grease filter

Cleaning

For normal hood operation, aluminium grease filter should be cleaned every month in the dishwasher or by hand using a mild detergent or liquid soap.

To replace:

Dismantling of aluminium grease filter is shown on Figure 5.

Acrylic filter is used in some models. This filter should be replaced at least once every two months or more frequently if the appliance is used intensively.

Charcoal filter (only the recirculation version)

Operation - Carbon filters can be used only when the hood is not connected to any ventilation duct. Filters with active carbon can absorb odours until they are saturated. They cannot be washed or re-generated and should be replaced at least every 2 months or more frequently in case of very intensive use.

Replace:

Dismantling of charcoal filter is shown on Figure 6.

Lighting

See Figure 7 for details how to replace lights. Use incandescent / halogen / LED modules of the same specification as those factory-installed in the appliance.

Cleaning

Normal hood cleaning:

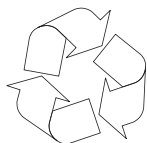
- Do not use a soaked cloth, sponge, or water jet.
- Do not use solvents or alcohol, as they may tarnish lacquered surfaces.
- Do not use caustic substances, especially for cleaning stainless steel.
- Do not use a rough or abrasive cloth.

It is recommend to use a damp cloth and a neutral detergent.

Aluminium filters may be washed in the dishwasher. The colour of aluminium filters may change after several washings. This is normal and it is not necessary to renew the filters.



RECYCLING OF THE PACKAGING



Our packaging is made of environmentally friendly materials, which can be reused:

- The external packaging is made of cardboard/ foil
- The FCKW free shape of foamed polystyrene (PS)
- Polyethylene (PE) foils and bags

ELIMINATION / DISPOSAL OF THE EQUIPMENT



If the appliance is no longer in use, cut the connecting cable off the used equipment before scrapping. We also recommend that the appliance is locked or rendered useless so that the appliance presents no danger to children while being stored for disposal. This appliance is marked with a symbol of the crossed out waste container in conformance with the European Directive 2002/96/EC. Such




marking informs that the equipment may not be kept together with other waste coming from the household after the period of its use. The user is obliged to dispose of the appliance at the waste collection point authorised by the local authority. The local waste collection points, shops and communal units form an appropriate system enabling the disposal of the equipment.

Handling the used electrical and electronic equipment and any hazardous substances contained therein in a correct manner is vital to avoid damage the local natural environment. Therefore care and responsibility should always be taken in the disposal of these products

Manufacturer's Declaration

The manufacturer hereby declares that this product meets the requirements of the following European directives:

- Low Voltage Directive **2006/95/EC**,
- Electromagnetic Compatibility (EMC) Directive **2004/108/EC**,
- *ErP Directive 2009/125/EC*

and has thus been marked with the  symbol and been issued with a declaration of compliance made available to market regulators.

TIL LYKKE MED DIT NYE GRAM EMFANG

Emfanget er specielt udviklet og udført for at opfylde dine forventninger. De anvendte konstruktionsløsninger samt brug af den nyeste produktionsteknologi sikrer emfangets høje funktionalitet og æstetik. Du bedes læse denne betjeningsvejledning grundigt igennem, inden du begynder at installere emfanget. Derved undgår du fejlinstallering og fejlbetjening af emfanget.

Vi håber, at du bliver tilfreds med dit nye GRAM produkt.

DA

Symboler, der optræder i denne brugsanvisning, har følgende betydning:



Vigtig information vedrørende korrekt brug af apparatet og din personlige sikkerhed.



Tip om at bruge apparatet.



Risici som resultat af ukorrekt brug af apparatet. Aktiviteter, der skal udføres af en autoriseret tekniker.



Information om miljøbeskyttelse.



Dette angiver handlinger, som ikke må udføres af brugeren.

INDHOLDSFORTEGNELSE

VEJLEDNING I SIKKER BRUG	17
INSTALLATION	20
BETJENING OG VEDLIGEHOLDELSE	21
MILJØBESKYTTELSE	23



Dette apparat er kun beregnet til husholdningsbrug.

Producenten forbeholder sig ret til at foretage ændringer, som ikke påvirker betjeningen af apparatet.



●Producenten er ikke ansvarlig for skade forårsaget af installation eller brug, som ikke overholder denne brugsanvisning

●Emfanget er designet til at fjerne lugt fra madlavning. Brug ikke emfanget til noget andet formål.



●Tilslut emfanget i udsugningstilstand til en passende ventilationskanal (tilslut IKKE emfanget til en røg- eller luftkanal, som er i brug). Emfanget kræver installation af luftudsugningskanalen ud til det fri. Længden af kanalen (typisk 120 eller 150 mm i diameter) bør ikke overskride 4-5 m. Luftudsugningskanalen er også påkrævet til teleskopiske og indbyggede emfang, der arbejder i recirkulationstilstand.

●Et emfang, der arbejder i recirkulationstilstand, kræver installation af et aktivt kulfilter. I dette tilfælde er installation af udsugningskanal ikke påkrævet, men det anbefales at installere en luftledeplade. (kun skorstens-emfang).

●Emfanget har selv-



stændigt lys og en udsugningsventilator, der kan betjenes på et af flere hastighedsniveauer.



●Afhængigt af type, er emfanget designet til at være permanent fastgjort på en lodret væg over et gas- eller el-komfur (skorstens- og universal-emfang); i loftet over et gas- eller el-komfur (ø-emfang); på et lodret indbygget møbel over et gas- eller el-komfur (teleskop- eller indbyggede emfang). Før installation skal det kontrolleres, at væg-/loftsstrukturen er stærk nok til at bære emfanget. Nogle emfang er meget tunge.



●Oplysninger om installationsafstanden over en elektrisk kogeplade kan ses i produktarket med tekniske oplysninger. Hvis gaskomfurets installationsinstruktion angiver en større afstand, skal denne tages i betragtning (fig. 1)



●Hav ikke åben ild under emfanget. Når gryderne fjernes fra brænderen, skal den sættes på minimal flamme. Kontroller altid, at flam-

men ikke kommer uden for gryden, da det kan give uønsket energitab og en farlig koncentration af varme.



- Når der steges mad i fedtstof, skal det ske under konstant overvågning, da overophedet fedtstof nemt antændes.

- Tag ledningen ud af stikket på væggen, før filteret renses eller før reparation.



- Tekstil-fedtfilteret bør udskiftes, og aluminiumsfilteret bør renses mindst en gang om måneden på grund af den eksisterende brandfare (mættet fedt er meget letantændeligt).

- Hvis der bruges andre ikke-elektriske apparater i samme rum som emfanget (f.eks. ovne med flydende brændstof, gennemstrømsvandvarmere eller vandvarmere med tank) er det nødvendigt at skaffe den nødvendige luftventilation (luftforsyning). Sikker betjening er mulig under samtidig brug af emfanget og udstyr med forbrænding, hvis der, afhængigt af luftforsyningen, opretholdes et

negativt tryk på ikke mere end 0.004 millibar inde i rummet, hvor dette udstyr befinder sig (dette punkt gælder ikke, når emfanget bruges som lugtopfanger).



- Læn dig ikke mod emfanget.



- Emfanget bør regelmæssigt rengøres indvendigt og på de ydre overflader (mindst en gang om måneden). Se kapitlet "Rengøring" i denne brugsanvisning.



- Hvis strømkablet bliver beskadiget, skal det udskiftes med et nyt hos en specialreparatør.



- Vær sikker på, at strømmen til apparatet nemt kan afbrydes, enten ved at trække stikket ud af stikkontakten eller ved at slukke for topols-kontakten.



- Dette apparat er ikke beregnet til brug af personer (herunder børn) med nedsatte fysiske, sansemæssige eller mentale evner, eller som mangler erfaring og viden, med mindre de bliver overvåget eller instrueret i brug af apparatet af en person, der er ansvarlig for deres sikkerhed.

- Børn skal vejledes for



- at sikre, at de ikke leger med apparatet.
- Tjek om den angivne strømstyrke på mærkepladen svarer til den lokale strømstyrke.
 - Strømkablet skal udrulles og rettes ud inden installationen.
 - Advarsel! Emballagen (polyetylenposer, små stykker polystyrenskum osv.) skal holdes væk fra børn under udpakningen.

- **BEMÆRK:** Før emfanget sluttes til strømforstyringen, skal det altid kontrolleres, at strømkablet er korrekt installeret og ikke sidder i klemme i apparatet. Det anbefales at kontrollere, at emfanget fungerer korrekt før installationen.

Elementer

Emfanget består af følgende elementer (fig. 2):

1. Indre skorsten
2. Ydre skorsten
3. Betjeningsknapper
4. Lys
5. Aluminiumsfilter
6. Glas (afhænger af model)

Montering, udpakning af produktet:

- Kontroller, at produktet ikke er beskadiget.
- Skader og fejl, opstået under transporten, skal øjeblikkeligt rapporteres til personen med ansvaret for transporten.
- Hvis du bemærker nogen beskadigelse, bedes du rapportere det til sælgeren.
- Lad ikke børn lege med emballagen!!!

Montering af ophængningsbeslag

Der medfølger to L-formede ophængningsbeslag med skruer til ophængning af produktet. Fastgør beslagene på emfanget med M5 x 35-skrue i M5-hullerne (fig. 3a).

- a) M5 x 35 YSB
- b) ophængningsbeslag

Montering af plastikafrækk

Monter plasticafrækket øverst på motorrummet med 3,5 x 9,5-skrue (fig. 3b).

Boring af ophængshuller Ø 6 mm

Fastgør monteringskabelonen på væggen, og bor huller i punkterne A, B, C med et Ø 8 mm-bor. Ved montering af skorstensdelen bruges boremaskine, idet der tages hensyn til min./maks. højdemål (fig. 3c).

ADVARSEL: Vær opmærksom på diameteren af hullerne til ophængning af emfanget, når de bores. Hvis diameteren af ophængningshullerne ikke er som angivet, kan emfanget ikke monteres korrekt.

Isætning af rawplugs

Isæt Ø 10 mm-rawplugs i hullerne A, B, C, der blev boret med et Ø 8 mm-bor. Isæt Ø 6 mm-rawplugs i de to huller, der blev boret med et Ø 6 mm-bor (fig. 3d). Bor huller i punkterne G, H og isæt Ø 10 mm-rawplugs i dem.

- a) 10 mm plastik-rawplug
- b) 6 mm plastik-rawplug
- c) Montering af udtræk Huller Ø 6 mm
- d) Huller til ophæng af emfanget Ø 8 mm

Skruer til montering af skorsten:

Bor hullerne i væggen med et Ø 6 mm-bor. Monter skorstensbeslaget med 3,9 x 22 Ysb-skrue i Ø 6 mm plastik-rawplugs. Bor hullerne i væggen med et Ø 10 mm-bor. Monter 2 stk. 5,5 x 60 Ysb-skrue i punkterne A, B i Ø 10 mm plastik-rawplugs. Afstanden mellem væggen og skrueens top skal være 5 mm (fig. 3e).

- a) 5,5 x 60 Ysb Skruer
- b) 3,9 x 22 Ysb Skruer

Placering af emfanget på væggen

Hæng de L-formede ophængningsbeslag i punkterne A og B (fig. 3f)

Stramning af ophængningsskrue:

Stram skruerne med en skruetrækker efter ophæng for at fastgøre produktet. Du kan finjustere placering,

så det hænger lige, ved hjælp af M5x40 Ysb-skrue (fig. 3g).

Bemærk: Du kan finjustere ophængningen, så det hænger lige, ved at løsne de øverste M5-skrue.

Stramning af ophængningsskrue:

Fastgør produktet på væggen fra punkt C med en 5,5x60 Ysb-skrue for at sikre, at produktet er monteret sikkert (fig. 3h).

Fastgør produktet på væggen fra punkterne G, H med 5,5x60-skrue for at sikre, at produktet er monteret sikkert (fig. 3i).

Montering af den fleksible aluminiumsslange:

Forbind den fleksible aluminiumsslange til udgangen på produktet og på køkkenvæggen. Kontroller, at forbindelsen er så stærk, at den ikke løsner sig, når emfanget fungerer på højeste styrke (fig. 3j).

Montering af den ydre skorsten:

Placer den indre skorsten i den ydre skorsten. Sæt skorstenen på motorkassen, og tryk den ned. Kontroller, at forbindelsen mellem emfanget og motoren er stram nok (fig. 3k).

- a) Ydre skorsten

Montering af den Indre skorsten:

Træk den indre skorsten opad gennem den ydre skorsten. Fastgør skorstenen med 3,5 x 9,5-nikkelskrue (fig. 3l).

- a) Indre skorsten
- b) 3,5 x 9,5 RYSB nikkelskrue

Når emfanget er færdigmonteret, skal alle forbindelser kontrolleres, før den tændes. Fjern beskyttelsesfolien fra produktet.

Indstilling af luftudsugningstilstand for emfanget

I luftudsugningstilstanden bliver ledt ud i det fri via en speciel kanal. Ved denne indstilling skal kulfilterne fjernes. Emfanget skal forbindes til den åbning, der leder luften ud i det fri, ved hjælp af en stiv eller fleksibel kanal, der er 120 mm i diameter, som købes i en forretning med installationsmaterialer.

En autoriseret installatør skal foretage tilslutningen.

Indstilling med aktivt kulfilter

Ved dette valg bliver filtreret luft ledt tilbage i rummet gennem hullerne i den øverste skorsten.

Hvis du installerer et aktivt kulfilter, kan emfanget benyttes til recirkulation. I det tilfælde er det ikke nødvendigt at installere et aftræksrør.

Brug betjeningspanelet til at betjene dit emfang (fig. 4)

Valg af hastighed

Apparatet har 3 ventilationshastigheder. Afhængigt af mængden af em fra madlavningen, kan du vælge lav, mellem eller høj hastighed. Knapperne på frontpanelet bruges til at tænde for apparatet.

Tænd for komfur og emfang samtidigt for at aktivere cirkulation. Dette giver den bedste udsugningskraft. Lad emfanget være tændt, lidt efter at komfuret er slukket, så den resterende lugt og damp kan absorberes.

Belysning

Produktet har 2 pærer og en knap til at betjene belysningen. Tryk på lysknappen for at tænde for lyset.

Vedligeholdelse

Regelmæssig vedligeholdelse og rengøring af apparatet vil hjælpe med til at forlænge apparatets levetid. Vær opmærksom på at udskifte fedt- og kulfiltre i henhold til brugsanvisningen.

Aluminiumsfedtfiler

Rengøring

Ved almindelig brug af emfanget bør aluminiumsfedtfileret rengøres hver måned i en opvaskemaskine eller i hånden ved brug af en mild sæbe eller flydende opvaskemiddel.

Udskiftning:

Udtagelse af aluminiumsfedtfileret vises på fig. 5.

Kulfilter (kun ved benyttelse af recirkulation)

Betjening – Kulfiltre kan kun bruges, når emfanget ikke er forbundet til nogen anden ventilationskanal. Filtre med aktivt kul kan absorbere lugt, indtil de er mættede. De kan ikke vaskes eller fornyes og bør udskiftes mindst hver anden måned eller oftere i tilfælde af intensiv brug.

Udskiftning:

Udtagelse af kulfilteret vises på fig. 6.

Lys

Se fig. 7 for oplysninger om udskiftning af lys. Brug samme type lyskilde, som isat i apparatet fra fabrikken.

Rengøring

Normal rengøring af emfanget:

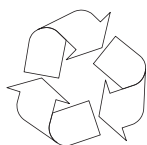
- Brug ikke en gennemblødt klud, svamp eller vandstråle.
- Brug ikke opløsningsmidler eller alkohol, da de kan misfarve lakerede overflader.
- Brug ikke kaustiske midler, især ved rengøring af rustfrit stål.
- Brug ikke en grov eller slibende klud.

Det anbefales at bruge en fugtig klud og et neutralt rengøringsmiddel.

Aluminiumsiltrene kan vaskes i opvaskemaskinen. Farven på aluminiumsiltrene kan ændre sig efter gentagen vask. Dette er normalt, og det er ikke nødvendigt at udskifte filtrene.



GENBRUG AF EMBALLAGEN



Vores emballage er fremstillet af miljøvenlige materialer, som kan genbruges:

- Den ydre emballage er fremstillet af pap/folie
- Den CFC-frie form af polystyrenskum (PS)
- Folie og poser af polyethylen (PE)

BORTSKAFFELSE AF UDS TYR



Hvis apparatet ikke længere bruges, klippes strømkablet af det brugte udstyr før kassering. Vi anbefaler også, at apparatet låses eller gøres ubrugeligt, så det ikke udgør nogen fare for børn, mens det opbevares til kassering. Dette apparat er mærket med symbolet med en overkrydset affaldscontainer i overensstemmelse med det europæiske direktiv 2002/96/EC. Denne mærkning indikerer, at




udstyret ikke må opbevares sammen med andet husholdningsaffald, efter at det har været i brug. Brugeren er forpligtet til at indlevere apparatet på et indsamlingssted for affald, der angives af de lokale myndigheder. De lokale indsamlingssteder for affald, forretninger og fælles enheder udgør et passende system, som muliggør bortskaffelse af udstyret.

Korrekt håndtering af brugt elektrisk og elektronisk udstyr samt alle farlige stoffer, der indeholdes heri, er vital for at undgå at skade det lokale naturmiljø. Derfor skal bortskaffelse af disse produkter altid ske ansvarligt og med omhu.

Producentdeklaration

Producenten erklærer herved, at dette produkt lever op til kravene i følgende europæiske direktiver:

- Lavspændingsdirektivet **2006/95/EC**,
- Direktivet vedr. elektromagnetisk kompatibilitet (EMC) **2004/108/EC**,
- *ErP-direktivet* **2009/125/EC**

og er således mærket med symbolet  og er forsynet med en overholdelsesdeklaration, der stilles til rådighed for markedsregulatorer.

KIITOS, ETTÄ OSTIT GRAM-LAITTEEN

HYVÄ ASIAKAS!

Olet nyt keittiön liesituulettimen käyttäjä. Tämä liesituuletin on erityisesti suunniteltu ja valmistettu täyttämään odotuksesi, ja se muodostaa varmasti moderniin keittiöön sopivan elementin. Liesituulettimen modernit rakenneratkaisut ja tuotannossa käytetyt uusimmat tekniikat takaavat sen suuren tehokkuuden ja hyvän ulkoasun.

Lue nämä ohjeet huolellisesti ennen liesituulettimen asentamista. Ne auttavat sinua välttämään virheitä liesituulettimen asennuksen ja käytön aikana.

Toivomme, että olet erittäin tyytyväinen siihen, että valitsit ilmanpoistotuulettimemme keittiösi.

Näissä ohjeissa esiintyvillä symboleilla on seuraava tarkoitus:



Tärkeitä tietoja laitteen oikeasta käytöstä ja henkilökohtaisesta turvallisuudestasi.



Laitteen käyttöä koskevia vihjeitä



Laitteen virheellisestä käytöstä aiheutuvat riskit. Pätevän teknikon on suoritettava toimet.



Tietoja siitä, miten voit suojella ympäristöä.



Tämä osoittaa toimenpiteet, joita käyttäjä ei saa tehdä.

SISÄLLYSLUETTELO

TURVALLISTA KÄYTTÖÄ KOSKEVIA OHJEITA	25
ASENNUS	28
KÄYTTÖ JA HUOLTO	29
YMPÄRISTÖNSUOJELU	31



Laitte on tarkoitettu vain talouskäyttöön.

Valmistaja varaa itselleen oikeuden tehdä muutoksia, jotka eivät vaikuta laitteen käyttöön.



● Valmistaja ei vastaa mitään vaurioista, jotka johtuvat näiden ohjeiden vastaisesta asennuksesta tai käytöstä.

● Liesituulettimen tarkoitus on poistaa ruoanlaitossa syntyviä käryjä. Älä käytä liesituuletinta muihin tarkoituksiin.



● Liitä ilmanpoistotilassa toimiva liesituuletin sopivaan ilmanvaihtoputkeen (ÄLÄ liitä liesituuletinta käytössä olevaan savu- tai savukaasuputkeen). Tämä edellyttää ulos menevän ilmanpoistoputken asennusta. Putken pituus (yleensä 120 tai 150 mm halkaisijaltaan) ei saa ylittää 4 - 5 metriä. Poistoputkea edellytetään myös teleskooppisille ja huonekalujen alle sijoitettaville liesituulettimille, jotka toimivat kiertoilmatilassa.

● Liesituuletin, joka toimii kiertoilmatilassa, edellyttää aktiivihiihtosuodattimen asennusta. Tässä tapauksessa ilmanpoistoputken asennusta ei tarvita, mutta on kuitenkin suositeltua asentaa ilman ohjain. (vain savutorvea käyttävät liesituulettimet).



● Liesituulettimessa on itsenäinen valaistus ja poistopuhallin, joka voi toimia eri nopeuksilla.



● Liesituuletin on tyyppin mukaan suunniteltu olemaan pysyvästi kiinnitettynä pystysuuntaiseen seinään kaasu- tai sähkölieden yläpuolella (savutorvea käyttävät ja yleiset liesituulettimet); kattoon kaasu- tai sähkölieden yläpuolella (saariliesituulettimet), pystysuuntaiseen kalusteeseen kaasu- tai sähkölieden päällä (teleskooppiset ja sisäänrakennetut liesituulettimet). Varmista ennen asennusta, että seinä-/kattorakenne on tarpeeksi vahva kannattamaan liesituuletinta. Jotkin liesituulettimet ovat hyvin painavia.



● Katso asennuksen etäisyys sähköliedestä teknisistä tiedoista. Jos kaasulieden asennusohjeet antavat suuremman etäisyyden, tämä on otettava huomioon (Kuva. 1).



● Älä jätä avotulta liesituulettimen alle. Kun kattila poistetaan polttimen päältä, aseta siihen pienin mahdollinen liekki. Varmista aina,

että liekki ei ulotu kat-tilan ulkopuolelle, sillä tämä aiheuttaa epätoi-vottua energiahukkaa ja vaarallista kuumuuden tiivistymistä.

- Rasvassa valmistettua ruokaa on valvottava jatkuvasti, sillä ylikuumentunut rasva voi syttyä helposti.
- Vedä pistoke pois pistorasiasta aina ennen suodattimen puhdistusta tai korjaustoimia.
- Tekstiiliä oleva rasvasuodatin on vaihdettava ja alumiinisuo-datin puhdistettava vähintään kerran kuukaudessa olemassa olevan palovaaran yhteydessä (tyydyttynyt rasva on erittäin syttyvää).
- Jos muita kuin sähköisiä laitteita käytetään samassa huoneessa kuin liesituuletinta (esim. nestemäistä polttoainetta käyttäviä uuneja taikka läpivirtauksella toimivia tai volumetrisia vedenlämmittimiä) on tarpeen järjestää riittävä tuuletus (ilmansaanti). Turvallinen käyttö on mahdollista, kun liesituuletti-men ja ilmansaannista riippuvaisten polttolaitteiden samanaikaisen

käytön aikana näiden laitteiden paikassa huoneessa pidetään yllä alipainetta, joka ei ole suurempi kuin 0,004 millibaria (tämä kohta ei päde, kun liesituuletinta käytetään käryn imemiseen).

- Älä nojaa tuulettimeen.
- Liesituuletti-men sisä- ja ulkopinnat on puhdistettava usein (vähintään kerran kuukaudessa). Ks. oppaan kohta "Puhdistus".
- Jos virtajohto katkeaa, se on korvattava uudella asiantuntijan korjausliikkeessä.
- Varmista, että laite voidaan helposti irrottaa verkkovirrasta joko vetämällä pistoke pois pistorasiasta tai kääntämällä kaksinapainen kytkin pois päältä.
- Tätä laitetta ei ole tarkoitettu sellaisten henkilöiden (mukaan lukien lapset) käyttöön, joiden fyysinen tai henkinen toimintakyky on alentunut tai joilta puuttuu kokemusta ja tietoa, ellei heidän turvallisuudestaan vastaava henkilö ole antanut heille opastusta ja neuvoja laitteen käytöstä.
- Lapsia on valvottava,



jotta varmistetaan, etteivät he leiki laitteella.

- Tarkista, vastaako arvokilvessä osoitettu jännite paikallisen verkkovirran ominaisuuksia.
- Oikaise verkkojohto ennen asennusta.
- Varoitus! Pakkausmateriaali (polyeteenipussit, pienet vaahdotettua polystyreenia olevat palat jne.) on pidettävä poissa lasten ulottuvilta

pakkausta purettaessa.

- HUOMAUTUS: Tarkista aina ennen liesituulettimen kytkemistä verkkovirtaan, että virtajohto on asennettu oikein ja ettei se ole laitteen puristuksissa. On suositeltavaa varmistaa ennen asennusta, että liesituuletin toimii oikein.

Osat

keittiön liesituuletin koostuu seuraavista osista (Kuva 2):

- 1 Sisäinen hormi
- 2 Ulkoinen hormi
- 3 Ohjauskytkimet
- 4 Valaistus
- 5 Alumiinikasettisuodatin
- 6 Lasi - mallista riioouen

Asennus, tuotteen poistaminen pakkauksesta:

- Tarkista, että tuotteesi ei ole vahingoittunut.
- Kuljetusvaurioista ja vioista on ilmoitettava heti kuljetuksesta vastaavalle osapuolelle.
- Jos huomaat vaurion, ilmoita siitä myyjälle.
- Älä anna lasten leikkiä pakkausmateriaalilla!

Ripustustangon asennus

Tuotteen asennusta varten on 2 L-muotoista ripustustankoa ja niihin liittyvät ruuvit. Kiinnitä tangot tuotteen runkoon ruuveilla (M5 x 35) M5-ruuvitalan avulla (Kuva 3a).

- a) M5 x 35 YSB
- b) Ruuvit

Muovisen suuaukon asennus

Asenna muovinen suuaukko moottorikotelon yläosaan ruuveilla (3,5 x 9,5) (Kuva 3b).

Kiinnitysreikien poraus, Ø 6 mm

Kiinnitä taustalevy seinään ja poraa poralla, jonka halkaisija on 8 mm, reiät kohtiin A, B ja C. Kun käytät poraa hormiosan asentamiseen, ota huomioon annetut vähimmäis- ja enimmäismitat (Kuva 3c).

VAROITUS: Kiinnitä erityistä huomiota liesituulettimen ripustamisessa käytettävien reikien halkaisijaan. Jos ripustusreikien halkaisijat eivät ole ohjeiden mukaiset, liesituuletinta ei voi asentaa oikein.

Tulppien naulaus E

Naulaa tulpat, joiden halkaisija on 10 mm, reikiin A, B ja C, joiden porattu halkaisija on 8 mm. Aseta tulpat, joiden halkaisija on 6 mm, kahteen porattuun reikään, joiden halkaisija on 6 mm (Kuva 3d). Poraa reiät kohtiin G ja H ja naulaa niihin tulpat, joiden halkaisija on 10 mm.

- a) 10 mm muovitulppa
- b) 6 mm muovitulppa
- c) Aukkoliitäntä Reiät Ø 6 mm
- d) Kuvun ripustusreiät Ø 8 mm

Hormin kiinnitystangon ruuvit;

Poraa seinään reiät poralla, jonka halkaisija on 6 mm. Kiinnitä hormin kiinnitystanko ruuveilla (3,9 x 22 Ysb) muovitulppiin, joiden halkaisija on 6 mm.

Poraa seinään reiät poralla, jonka halkaisija on 10 mm. Kiinnitä 2 ruuvia (5,5 x 60 Ysb) kohdissa A ja B oleviin muovitulppiin, joiden halkaisija on 10 mm. Seinän ja ruuvien yläreunan etäisyyden tulisi olla 5 mm (Kuva 3e).

- a) 5,5 x 60 Ysb Ruuvi
- b) 3,9 x 22 Ysb Ruuvi

Liesikuvun sijoittaminen seinään

Ripusta L-muotoiset ripustustangot kohtiin A ja B (Kuva 3f).

Kiristä ripustusruuvit:

Kiristä ruuvit ruuvitalalla tuotteen ripustamisen jälkeen. Voit käyttää M5 x 40 Ysb -ruuveja liesikuvun asennon hienosäätöön (Kuva 3g).

Huomautus: Voit hienosäätää asentoa löysäämällä ylimpiä M5-ruuveja.

Kiristä ripustusruuvit:

Kiinnitä tuote seinään kohdasta C ruuvilla (5,5 x 60 Ysb), jotta varmistat tuotteen turvallisen asennuksen (Kuva 3h).

Kiinnitä tuote seinään ruuvilla (5,5 x 60 Ysb) kohdasta G ja H, jotta varmistat tuotteen turvallisen asennuksen (Kuva 3i).

Alumiinisen joustoputken asennus:

Kiinnitä alumiininen joustoputki tuotteen ja keittiön seinän aukkoihin.

Varmista, että liitäntä on niin vahva, että se kestää liesituulettimen tehokkaimman käytön (Kuva 3j).

Ulkoinen hormin asennus:

Aseta sisäinen hormi ulkoiseen hormiin. Aseta hormit moottorikoteloon ja työnnä sitä alaspäin. Varmista, että rungon ja moottorikotelon välinen liitäntä on tiivis (Kuva 3k).

- a) Ulkoinen hormi

Sisäinen hormin asennus:

Vedä sisäistä hormia ylöspäin ulkoisen hormin läpi. Kiinnitä hormi nikkelipäällysteisillä ruuveilla (3,5 x 9,5) (Kuva 3l).

- a) Sisäinen hormi
- b) 3,5 x 9,5 RYSB Nikkeliruuvi

Kun olet asentanut liesituulettimen valmiiksi, tarkista kaikki liitännät, ennen kuin käytät sitä. Ota suojakalvo pois tuotteestasi.

Liesituulettimen ilmanpoistotilan asettaminen

Ilmanpoistotilassa erityinen putki poistaa ilman ulos. Tässä asetuksessa hiiliuodattimet on poistettava. Liesituuletin on liitettävä aukkoon, josta ilma poistuu ulos kovan tai joustavan putken avulla. Putken halkaisija on 120 mm, ja sen voi ostaa asennustarvikkeita myyvistä kaupasta.

Pätevä asentaja on pyydettyävä tekemään liitäntä.

Liesituulettimen käryjen imemistilan asettaminen

Tässä vaihtoehdossa suodatettu ilma palaa huoneeseen. liesituulettimen edessä olevien aukkojen kautta. Tässä asetuksessa on tarpeen asentaa hiiliuodatin. On suositeltavaa asentaa ilmanohjain (saatavuus riippuu mallista).

Ohjaa liesituuletinta ohjauspaneelin avulla (Kuva 4)

Nopeuden valinta

Laitteessa on 3 tuuletusastetta. Voit keittämis- ja paistamishöyryjen mukaan valita pienen, keskisuurten tai suuren tuuletustason. Laite kytketään päälle etupaneelin painikkeiden avulla.

Ota liesi ja liesituuletin käyttöön samanaikaisesti, jotta ilmanvirtaus aktivoituu. Tällä on myönteinen vaikutus imutehoon. Anna laitteen toimia jonkin aikaa, kunnes valmistusprosessi on päättynyt, jotta jäljellä oleva haju ja höyry imeytyvät.

Valaistus

Tuotteessa on 2 lampua ja yksi lamppupainike valaistuksen ohjaukseen. Käynnistä valaistus painamalla lamppupainiketta.

Huolto

Laitteen säännöllinen huolto varmistaa virheettömän toiminnan ja auttaa pidentämään yksikön käyttöikä. Huomiota on erityisesti kiinnitettävä rasva- ja hiilisuodattimien ohjeiden mukaiseen vaihtoon.

Alumiininen rasvasuodatin

Puhdistus

Liesituuletinta normaalisti käytettäessä alumiininen rasvasuodatin on puhdistettava joka kuukausi astianpesukoneessa tai käsin käyttäen mietoa pesuainetta ja nestemäistä saippuaa.

Vaihto:

Alumiinisen rasvasuodattimen purkaminen näytetään Kuvassa 5.

Joissakin malleissa käytetään akryylisuodattimia. Suodatin on vaihdettava kahden kuukauden välein tai useammin, jos laitetta käytetään paljon.

Hiilisuodatin (vain kiertoilmaversiossa)

Toiminta - Hiilisuodattimia voidaan käyttää vain, kun liesituuletinta ei ole liitetty ilmanvaihtoputkeen. Aktiivihilisuodattimet imevät käryä, kunnes ne tullevat kyllästetyiksi. Niitä ei voi pestä tai uudistaa, ja ne on vaihdettava vähintään kahden kuukauden välein tai useammin, jos käyttö on voimakasta.

Vaihto:

Hiilisuodattimen purkaminen näkyy Kuvassa 6.

Valaistus

Katso lamppujen vaihto-ohjeet Kuvasta 7. Käytä hehku-/halogeeni/LED-lamppuja, joilla on samat tekniset tiedot kuin niillä, jotka on tehtaassa asennettu laitteeseen.

Puhdistus

Liesituulettimen normaali puhdistus:

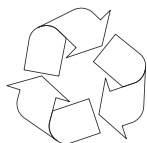
- Älä käytä märkää liinaa tai sientä tai vesisuihkua.
- Älä käytä liuottimia tai alkoholia, sillä ne voivat tummentaa lakattuja pintoja.
- Älä käytä syövyttäviä aineita, eikä etenkin ruostumattoman teräksen puhdistamiseen.
- Älä käytä karkeaa tai hankaavaa liinaa.

On suositeltavaa käyttää kosteaa liinaa ja neutraalia puhdistusainetta.

Alumiinisuodattimet voidaan pestä astianpesukoneessa. Alumiinisuodattimien väri voi muuttua muutaman pesukerran jälkeen. Tämä on normaalia, eikä suodattimien uudistaminen ole tarpeen.



PAKKAUKSEN KIERRÄTYS



Pakkauksemme tehdään ympäristöystävällisistä materiaaleista, jotka voidaan käyttää uudelleen:

- Ulkopakkaus on tehty pahvista/foliosta
- Kloorifluorivety-yhdisteistä vapaa vaahdotettu polystyreeni
- Polyeteenikalvot ja -pussit

EU:N SÄÄNTÖJEN MUKAINEN HÄVITTÄMINEN



Jos laitetta ei enää käytetä, leikkaa laitteen liitäntäkaapeli pois ennen laitteen hävittämistä. Suosittelemme myös, että laite lukitaan tai siitä tehdään hyödytön, jotta laite ei aiheuta mitään vaaraa lapsille, kun se on varastoitu hävitettäväksi. Tämä laite on merkitty ylivedetyllä jättesäiliöllä direktiivin 2002/96/EY mukaisesti. Tällainen merkintä kertoo, että laitetta ei pidä laittaa yhteen muun talousjätteen



kanssa laitteen käytön päätyttyä. Käyttäjä on velvollinen hävittämään laitteen viemällä sen paikallisten viranomaisten jätteenkeräyspisteeseen. Paikalliset jätteenkeräyspisteet, kaupat ja kunnalliset yksiköt ovat tämän laitteen hävittämiseen sopiva järjestelmä.

Sähkö- tai elektroniikkalaitteiden ja niissä mahdollisesti olevien vaarallisten aineiden oikea käsittely on elintärkeää, jotta vältetään vahingoittamasta paikallista luontoa. Siksi nämä tuotteet on aina hävitettävä huolellisesti ja vastuullisesti.

Valmistajan vakuutus

Valmistaja vakuuttaa, että tämä tuote vastaa seuraavien eurooppalaisten direktiivien vaatimuksia:

- Pienjännitedirektiivi **2006/95/EY**,
- Sähkömagneettista yhdenmukaisuutta koskeva direktiivi **2004/108/EY**
- *Ecodesign-direktiivi* **2009/125/EY**

sekä siinä on siten **CE**-merkintä ja siitä on tehty vaatimustenmukaisuusvakuutus markkinoita säänteleville viranomaisille.

GRATTIS TILL DIN NYA FLÄKT FRÅN GRAM.

Fläkten är speciellt utvecklad och tillverkad för att uppfylla dina förväntningar och kommer att passa bra i ett modernt kök. De moderna konstruktionslösningarna samt användning av den nyaste produktionsteknologin garanterar fläktens höga funktionsduglighet och estetik. Du ombeds läsa bruksanvisningen noggrant innan du installerar fläkten. På så sätt undviker du felinstallation och felanvändning.

Vi hoppas att du blir nöjd med din nya produkt från GRAM.

Symbolerna i bruksanvisningen har följande betydelser:



Viktig information om hur produkten används korrekt och om din säkerhet.



Användartips



Risker som uppstår om produkten används felaktigt. Åtgärder som måste utföras av behörig fackman.



Information om miljöskydd.



Symbolen står vid åtgärder som inte får utföras av användaren.

VS

INNEHÅLLSFÖRTECKNING

SÄKERHETSANVISNINGAR	33
INSTALLATION	36
ANVÄNDNING OCH SKÖTSEL	37
MILJÖSKYDD	39



Produkten är endast avsedd för hushållsbruk.

Tillverkaren förbehåller sig rätten till ändringar som inte inverkar på produktens funktioner.



● Tillverkaren övertar inget ansvar för skador som uppstår på grund av felaktig installation eller om köksfläkten inte används enligt anvisningarna i denna manual.

● Köksfläkten är avsedd för att avlägsna matos. Använd inte köksfläkten för andra ändamål.



● Anslut en köksfläkt med utsugsfunktion till en passande ventilationskanal (anslut INTE till rök- eller rökgaskanaler som används). Det krävs att en luftutsugskanal som leder utomhus installeras. Kanalen (i regel 120 eller 150 mm i diameter) bör inte vara längre än 4–5 m. En luftutsugskanal krävs även för köksfläktar i teleskoputförande eller fläktar som monteras under köksskåp om dessa är luftcirkulationsfläktar.

● Köksfläktar med luftcirkulationsfunktion måste ha ett installerat aktivkolfilter. I så fall behövs ingen utsugskanal, men vi rekommenderar att du installerar en luftledare (endast köksfläkt av skorstens-typ).



● Köksfläkten har egen belysning och en utsugsfläkt med flera hastigheter.



● Beroende på köksfläktens utförande, är kåporna konstruerade för fast montering på en lodrät vägg över en gas- eller elspis (skorstens- och universalfläktar), takmontering över en gas- eller elspis (fläktar för köksöar), på lodrät inbyggda kökskåp över en gas- eller elspis (teleskop- och inbyggnadsfläktar). Innan du installerar ska du försäkra dig om att väggen/taket är tillräckligt stabila för att bära upp köksfläktens vikt. Somliga köksfläktar är mycket tunga.



● Detaljerad information om installationsavståndet till en elspis finns i produktens tekniska datablad. Om du har en gasspis och dess användarinstruktioner anger ett större avstånd måste detta tas med i beräkningen (fig. 1).



● Lämna inte en öppen gaslåga under kåpan. När du tar av kastrullerna från lågan ska du ställa in lågan på det minsta läget. Försäk-

ra dig alltid om att lågan inte brinner utanför kastrullen, eftersom det innebär oönskad energiförlust och en farlig värmekoncentration.

- Håll uppsikt över all mat som tillagas med matfett eftersom överhettat fett är lättantändligt.
- Dra ut elkontakten ur vägguttaget före ett filterbyte eller en reparation.
- Fettfilter av textil ska bytas och aluminiumfiltret ska rengöras minst en gång i månaden på grund av brandrisken (fett som samlats i filter är lättantändligt).
- Om du använder annan icke-elektrisk utrustning (t.ex. spisar med flytande bränsle, genomströmnings-varmvattenberedare) måste du ordna med en lämplig ventilation (lufttillförsel). Säkerheten upprätthålls när du samtidigt använder köksfläkten och förbränningsutrustning, som kräver lufttillförsel, om ett konstant negativt tryck som inte överstiger 0,004 milibar upprätthålls där denna utrustning finns



i rummet (detta gäller inte när kåpan används enbart för att absorbera matos).

- Luta dig inte mot köksfläkten.
- Rengör köksfläkten ofta både på in- och utsidan (minst en gång i månaden). Se avsnittet "Rengöring" i manualen.
- Om elsladden går sönder ska den ersättas med en ny, som du köper i fackhandeln.
- Säkerställ att det går lätt att avskilja produkten från strömmen, antingen genom att dra ut kontakten ur strömtaget eller genom att stänga av den tvåpoliga brytaren.
- Produkten är inte avsedd att användas av personer (inklusive barn) med nedsatt fysisk, sensorisk eller mental förmåga, eller som saknar erfarenhet och kunskaper om dess användning, utom om de övervakas eller har instruerats av den som ansvarar för deras säkerhet.
- Håll uppsikt över barn så att de inte leker med produkten.
- Kontrollera att spän-

ningen som anges på märkskylten överensstämmer med spänningen där fläkten ska användas.



- Rulla upp och räta ut elsladden före installationen.
- Varning! Håll barn på avstånd från förpackningsmaterialet (plastpåsar, små bitar polystyrenskum o.s.v.) när du packar upp produkten.

- OBS: Kontrollera att elsladden är korrekt insatt och inte har fastnat i produkten innan du ansluter produkten till eluttaget. Vi rekommenderar att du försäkrar dig om att köksfläkten fungerar korrekt innan du installerar den.

Komponenter

Köksfläkten består av följande komponenter (fig. 2):

- 1 Innerskorsten
- 2 Ytterskorsten
- 3 Reglage
- 4 Belysning
- 5 Insatsfilter av aluminium
- 6 Glas - beroende på modell

Montering, ta ut produkten ur förpackningen:

- Kontrollera om det finns några skador på produkten.

- Transportskador ska genast anmälas till ansvarigt transportföretag.

- Om du upptäcker skador ombeds du informera försäljaren om detta.

- Låt inte barn leka med förpackningsmaterialet!

Montera hängprofiler

Det medföljer 2 L-formade hängprofiler med skruvar för att montera din produkt. Montera profilerna på kåpan med M5 x 35 skruvar i M5 skruvarna (fig. 3a).

- a) M5 x 35 YSB
- b) L-formade hängprofiler

Montera plastutloppet

Montera plastutloppet ovanpå motorlådan med 3,5x9,5 skruvar (fig. 3b).

Borra monteringshål Ø 6 mm

Fäst monteringsritningen på väggen och borra hål på punkterna markerade med A, B, C med ett Ø8 mm borr. Använd borr för att montera skorstensdelen och ta då hänsyn till min./max. höjdmåten (fig 3c).

WARNING: När du ska borra hålen att hänga upp produkten i ska du vara noga med att hålets diameter stämmer med diametern för hålen som ska användas för att hänga upp kåpan.

Om diametern för upphängningshålen inte stämmer med det som angivits kan kåpan inte monteras korrekt.

Fästa plugg

Slå in Ø10 mm plugg i hålen A,B,C som är borrarade till Ø8 mm. Sätt Ø6 mm plugg i två hål, borrarade till Ø6 mm (fig. 3d). Borra hål i punkterna märkta G och H och slå in Ø10 mm plugg i hålen

- a) 10 mm plastplugg
- b) 6 mm plastplugg
- c) Ansluta utloppet Hål Ø 6 mm
- d) Kåpans upphängningshål Ø 8 mm

Skrubar till skorstensens fästprofil:

Borra hål i väggen med ett Ø6 mm borr. Fixera skorstensens fästprofil med 3,9 x 22 Ysb skruvar i Ø6 mm plastpluggar. Borra hål i väggen med ett Ø10 mm borr. Fäst 2 av 5,5 x 60 Ysb skruvarna i punkterna A och B i Ø10 mm plastplugg. Avståndet mellan väggen och skruvskallen ska vara 5mm (Fig. 3e).

- a) 5,5 x 60 Ysb Skruv
- b) 3,9 x 22 Ysb Skruv

Placera spiskåpan på väggen

Häng upp de L-formade profilerna i punkterna A och B (fig. 3f).

Dra åt upphängningsskruvarna:

Dra åt skruvarna med skruvmejsel efter att du har hängt upp produkten för att fixera den. Du kan använda M5x40Ysb skruvarna för att finjustera så att kåpan hänger rakt (fig. 3g).

Anmärkning: Du kan finjustera att produkten hänger rakt genom att lossa på M5 skruvarna upptill.

Dra åt upphängningsskruvarna:

Fixera produkten på väggen från punkt C med 5,5x60 Ysb skruvar för att säkerställa att produkten är säkert monterad (fig. 3h).

Fixera produkten på väggen från punkt G, H med 5,5x60 Ysb skruvar för att säkerställa att produkten är säkert monterad (fig. 3i).

Montera flexibelt aluminiumrör

Anslut det flexibla aluminiumröret till produktens utlopp och köksväggen.

Försäkra dig om att anslutningen är tillräckligt stark för att inte gå sönder när fläkten kör på högsta hastighet (fig. 3j).

Montera ytterskorsten:

Placera den innerskorstenen i ytterskorstenen. Placera skorstenarna mot motorlådan och tryck dem neråt. Försäkra dig om att anslutningen mellan skorstenen och motorlådan sitter tätt (fig. 3k).

Montera Innerskorsten:

Dra innerskorstenen uppåt genom ytterskorstenen. Fäst skorstenen med 3,5 x 9,5 nickelbelagda skruvar (fig 3l).

- a. Innerskorsten
- b. 3,5 x 9,5 RYSB Nickelskruv

När du har monterat kåpan ska du kontrollera alla anslutningar innan du börjar använda den.

Ta av skyddsfilm från produkten.

Anvisningar för köksfläktens utsugsfunktion

När fläkten används med utsugsfunktionen leds luften utomhus via en särskild kanal. I det läget ska alla slags kolfilter tas bort. Köksfläkten ska anslutas till utsugsöppningen med en fast eller flexibel kanal som är 120 mm i diameter. Du köper kanalen i fackhandeln.

Anlita en behörig montör för att utföra anslutningen.

Anvisningar för fläktens funktion ved drift med återcirkulation (kolfilter)

I det här läget leds den filtrerade luften tillbaka in i rummet

genom öppningarna på köksfläktens framsida.

Funktionen kräver att du sätter in kolfilter. Vi rekommenderar att du installerar en luftledare (tillgänglighet beroende på modell).

Använd kontrollpanelen för att reglera köksfläkten (fig. 4)

Välja hastighet

Enheten har 3 fläkthastigheter. Du kan välja mellan låg–medelhög–hög hastighet, beroende på hur mycket ånga som bildas vid matlagningen. Du använder knapparna på frontpanelen för att starta fläkten.

Starta spisen och fläkten samtidigt för att få igång cirkulationen. Det har en positiv effekt på vakuumskraften. Låt fläkten vara igång en stund efter att maten har lagats, då avlägsnas kvarvarande matos och ånga.

Belysning

Produkten har 2 lampor och en lampknapp för att tända och släcka belysningen. Tryck på lampknappen för att tända belysningen.

Skötsel

Om regelbundet sköter och rengör köksfläkten försäkras du dig om dess felfria funktion och långa livslängd. Var noga med att byta fett- och kolfilter enligt instruktionerna.

Aluminiumfettfilter

Rengöring:

Vid normal användning av köksfläkten ska du diska aluminiumfettfiltret i diskmaskinen, eller handdiska det med ett mildt diskmedel, en gång i månaden.

Byte:

Figur 5 visar hur du tar av aluminiumfettfiltret.

I vissa modeller använd ett akrylfilter. Sådana filter ska bytas minst varannan månad, eller tätare om du använder köksfläkten mycket.

Kolfilter (endast cirkulationsutförande)

Användning – Kolfilter kan bara användas om köksfläkten inte är ansluten till en ventilationskanal. Filter med aktivkol kan absorbera matos tills de är mättade. De kan inte diskas eller fräschas upp, utan ska bytas varannan månad eller tätare om du använder köksfläkten mycket.

Byte:

Figur 6 visar hur du tar av kolfiltret.

Belysning

Figur 7 visar hur du byter lamporna. Använd glödlampor/halogenlampor/LED-lampor av samma typ som har installerats på fabriken.

Rengöring:

Vanlig rengöring av köksfläkten:

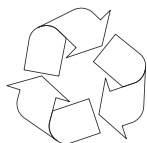
- Använd inte en genomdräckt duk, svamp eller vattenstråle.
- Använd inte lösningsmedel eller sprit, eftersom de kan skada lacken.
- Använd inte frätande medel, i synnerhet inte på rostfritt stål.
- Använd inte en grov eller repande duk.

Vi rekommenderar att du använder en fuktig duk och neutralt diskmedel.

Aluminiumfilter kan maskindiskas. Aluminiumfiltret kan ändra färg efter några diskar. Detta är normalt och innebär inte att du behöver byta filtret.



ÅTERVINNA FÖRPACKNINGEN



Våra förpackningar är gjorda av miljövänliga material som kan återvinnas.

- Ytterförpackningen är gjord av kartong/folie.
- Klorfluorkarbon-fritt polystyrenskum (PS).
- Folie och påsar av polyetylen (PE).

AVFALLSHANTERING/SKROTNING AV PRODUKTEN



När produkten är uttjänt ska du först skära av anslutnings-sladden innan du skrotar den. Vi rekommenderar också att du låser produkten eller gör att de inte fungerar, så att produkten inte utgör fara för barn medan den förvaras inför skrotningen. Produkten är märkt med en överkorsad sopstunna i enlighet med det europeiska direktivet 2002/96/EG. Märkning-



en anger att produkten inte får kastas i hushållssoporna när den inte längre används. Produkten måste lämnas in på en sopstation som är godkänd av lokala myndigheter. Den lokala sopstationen, affärer och kommunala organ utgör ett system som gör det möjligt att avfallshandera produkten på ett lämpligt sätt.

Det är mycket viktigt att elektrisk och elektronisk utrustning, samt eventuellt farliga ämnen i den, hanteras korrekt för att undvika att miljön skadas. Därför bör du alltid vara noggrann och ansvarstagande när du avfallshandlar dessa produkter.

SV

Försäkran om överensstämmelse

Tillverkaren förklarar härmed att denna produkt uppfyller kraven i följande europeiska direktiv:

- Lågspänningsdirektivet **2006/95/EG**,
- EMC-direktivet **2004/108/EG**,
- ErP-direktivet **2009/125/EG**

och har därmed märkts med **CE** symbolen samt erhållit en försäkran om överensstämmelse som finns tillgänglig för marknadsreglerande organ.

GRATULERER MED DIN NYE VENTILATOR FRA GRAM.

Ventilatoren er spesielt utviklet og fremstilt for å oppfylle dine forventinger, samt passe godt inn i et moderne kjøkken. Moderne konstruksjonsløsninger og bruk av siste nytt innen produksjonsteknologi garanterer ventilatorens høye funksjonalitet og estetikk. Vennligst les denne bruksanvisningen nøye for du starter installasjonen. Dermed unngår du feilinstallering og feilbetjening av ventilatoren.

Vi håper du blir fornøyd med ditt nye GRAM-produkt.

Symbolene i denne bruksanvisningen betyr følgende:



Viktig informasjon som gjelder riktig bruk av produktet og din egen sikkerhet.



Råd om hvordan du bruker produktet.



Farer som kan oppstå på grunn av feil bruk av produktet. Oppgaver som må utføres av en kvalifisert tekniker.



Informasjon om miljøvern.



Dette indikerer handlinger som ikke må utføres av brukeren.

NO

INNHOLDSFORTEGNELSE

RETNINGSLINJER OM TRYGG BRUK	41
MONTERING	44
BRUK OG VEDLIKEHOLD	45
MILJØVERN	47



Produktet er kun beregnet for bruk i hjemmet.

Produsenten forbeholder seg retten til å innføre endringer som ikke påvirker bruken av apparatet.



● Produsenten påtar seg ingen form for ansvar for skader forårsaket av installasjon eller bruk som ikke er i samsvar med instruksjonene i denne bruksanvisningen.

● Kjøkkenviftens funksjon er å fjerne matlukt. Ikke bruk kjøkkenviften til andre formål enn dette.



● Kjøkkenvifter som skal brukes i avtrekksmodus må kobles til en egnet ventilasjonskanal (kjøkkenviften må IKKE kobles til røyk- eller røykgasskanaler som er i bruk). Det er nødvendig med en utvendig avtrekkskanal. Lengden på kanal (med en standarddiameter på 120 eller 150 mm) må ikke være lenger enn 4,5 m. Avtrekkskanalen er også nødvendig for teleskopiske- og innebygde kjøkkenvifter som skal brukes i luftresirkulasjonsmodus.

● For kjøkkenvifter som skal brukes i luftresirkuleringsmodus må det installeres et aktivert kullfilter. I slike tilfeller er det ikke nødvendig å installere en avtrekkskanal, men vi anbefa-



ler at det installeres en luftledeskovl. (kun for pipekjøkkenvifter).

● Kjøkkenviften er utstyrt med en belysnings- og avtrekksvifte som kan brukes hver for seg. I tillegg kan viften brukes med forskjellige hastigheter.



● Avhengig av produkttypen, er kjøkkenviften konstruert til å festes permanent til en vertikal vegg over en gass- eller elektrisk komfyr (pipe- og universalkjøkkenvifter), i taket over en gass- eller elektrisk komfyr (vifter over kjøkkenøy), på vertikalt innebygde kjøkken-skap over en gass- eller elektrisk komfyr (teleskopiske og innebygde kjøkkenvifter). Før produktet installeres må du kontrollere at vegg-/takstrukturen er sterk nok til å bære kjøkkenviftens vekt. Enkelte kjøkkenvifter er svært tunge.



● For informasjon om hvilken avstand det må være mellom kjøkkenviften og en elektrisk kokeplate, vennligst se det tekniske informasjonsarket. Hvis det er spesifisert en større avstand i installa-

sjonsinstruksjonene for en gasskokeplate, må det tas hensyn til dette (Fig. 1).



- La det aldri være åpen ild under kjøkkenviften. Når kjeler og panner fjernes fra gassflamme- ne, må flammene reduseres til den minimale innstillingen. Pass alltid på at flammen ikke brenner på utsiden av kjeler og panner, da dette vil føre til tapt energiforbruk samt en farlig varmekonsentrasjon.



- All mat som stekes i olje må være under konstant oppsyn, da overopphetet olje er svært lettantennelig.



- Trekk støpslet ut av veggkontakten før du foretar noen form for rengjøring eller vedlikeholds/reparasjonsarbeid.

- Tekstilfettfilteret skal skiftes ut, og aluminiumsfilteret skal rengjøres minst én gang i måneden for å forhindre brannfare (fett er svært lettantennelig).

- Hvis annet ikke-elektrisk utstyr brukes i samme rom som kjøkkenviften (f. eks. ovner med flytende væske, gjennomstrømbare el-

ler volumetriske varmtvannsberedere), vil det være nødvendig med tilstrekkelig ventilasjon (lufttilførsel). Kjøkkenviften og forbrenningsutstyret kan trygt brukes samtidig, så lenge lufttilførselen og det negative trykket ikke overstiger 0,004 millibar der hvor disse enheten er plassert i rommet (dette gjelder ikke hvis kjøkkenviften brukes til å absorbere lukt).



- Ikke len deg på kjøkkenviften



- Kjøkkenviften skal rengjøres innvendig og utvendig regelmessig (minst én gang i måneden). Se avsnittet "Rengjøring" i denne bruksanvisningen.



- Hvis strømkabelen skades må den skiftes ut med en ny på et spesialverksted.



- Sørg for at kjøkkenviften lett kan kobles fra strømuttaket, enten ved å trekk ut ledningen fra veggkontakten, eller ved å slå av den topolette bryteren.



- Dette produktet er ikke beregnet for personer (inkludert barn) med reduserte fysiske, sensoriske eller mentale evner, eller mangel på

erfaring og kunnskap, med mindre de har fått veiledning eller opplæring i bruk av apparatet av en person som er ansvarlig for deres sikkerhet.



- Barn må være under oppsyn for å forsikre om at de ikke leker med produktet.
- Kontroller at strømspenningen som er oppgitt på merkeskiltet korresponderer med

den lokale strømspenningen.

- Vikle ut og strekk strømkabelen før produktet installeres.
- Advarsel! Emballasjen (plastposer, små biter med polystyren, o.l.) må holdes utilgjengelige for barn når produktet pakkes ut.
- MERK: Før kjøkkenviften kobles til strømuttaket, kontroller at strømkabelen er riktig festet og at den ikke er klemt av produktet. Vi anbefaler at du kontrollerer at kjøkkenviften fungerer som den skal før den installeres.

Elementer

Kjøkkenviften består av følgende deler (Fig. 2):

- 1 Innvendig pipe
- 2 Utvendig pipe
- 3 Kontrollbrytere
- 4 Belysning
- 5 Aluminiumkassettfilter
- 6 Glass - avhengig av modell

Installasjon, ta produktet ut av pakningen:

- Kontroller at produktet ikke er deformert eller skadet.
- Transportskader og defekter må straks meldes til den som er ansvarlig for transporten.
- Hvis du konstaterer skader, melder du fra om dette til forhandleren.
- Ikke la barn bruke pakningsmaterieell som leketøy!!!

Installere opphengsstang

Det er to L-formede opphengsstenger å installere med produktet; skruer medfølger. Fest stengene på produktets hovedenhet med M5 x 35 skruer i M5 mutre (Bilde 3a).

- a) M5 x 35 YSB
- b) L-formede stenger

Installere plastutløp

Installer plastutløp på toppen av motorhuset ved hjelp av 3,5x9,5 skruer (Bilde 3b).

Bore monteringshull Ø 6 mm

Fest monteringsstjablongen på veggen og bor huller i punktene merket A,B,C med en Ø8 mm drill. For å installere pipedelen, bruk drillen ved å ta utgangspunkt i minimums- og maksimumsdimensjonene for høyde (Bilde 3c)

ADVARSEL: Under boring av opphengshullene, pass på riktig diameter på hullene som skal brukes til å henge opp ventilatoren.

Hvis diameteren på opphengshullene blir feil, kan ikke ventilatoren settes sammen skikkelig.

Innsetting av plugg

Slå Ø10 mm plugg inn i hullene A,B,C drilllet som Ø8 mm. Slå Ø6 mm plugg inn i to hull drilllet som Ø6 mm (Bilde 3d). Bor huller på stedene merket G,H og slå Ø10 mm plugg inn i dem.

- a) 10 mm plastplugg
- b) 6 mm plastplugg
- c) Utløpstilkobling Huller Ø 6 mm
- d) Huller for ventilatoroppheng Ø 8 mm

Skruer for festestang til pipe;

Bor huller i veggen med en Ø6 mm bor. Fest pipens festestang ved hjelp av 3,9 x 22 Ysb-skruer i Ø6 mm plastplugg. Bor huller i veggen med en Ø10 mm bor. Skru inn 2 stk 5,5 x 60 Ysb-skruer på punktene A,B i Ø10 mm plastplugg. Avstanden mellom veggen og skruhodet skal være 5 mm (Bilde 3e).

- a) 5,5 x 60 Ysb Skruer
- b) 3,9 x 22 Ysb Skruer

Plassere ventilatorhetten på veggen

Heng L-formede stenger i punktene A og B (Bilde 3f).

Trekk til opphengsskruene:

Trekk til skruene med skrutrekker etter opphenging for å feste produktet mot veggen. Du kan bruke

M5x40Ysb-skruene til å finjustere parallelliteten til hetten (Bilde 3g).

Merk: Du kan finjustere parallelliteten ved å løsne M5-skruene på toppen.

Trekk til opphengsskruene:

Fest produktet på veggen fra punkt C med 5,5x60 Ysb-skruer for å sikre at produktet er trygt installert (Bilde 3h).

Fest produktet på veggen fra punkt G, H med 5,5x60-skruer for å sikre at produktet er trygt installert (Bilde 3i).

Installere fleksibelt aluminiumsrør:

Koble det fleksible aluminiumsrøret til uttakene på produktet og på kjøkkenveggen.

Forsikre deg om at denne forbindelsen ikke vil løse selv når ventilatoren brukes på maksimum effekt (Bilde 3j).

Installere den utvendige pipen:

Sett den innvendige pipen inn i den utvendige pipen. Sett pipene på motorboksen og trykk dem ned. Pass på at det er fast forbindelse mellom apparathuset og motorboksen (Bilde 3k).

Installere den Innvendig pipen:

Trekk den innvendige pipen oppover gjennom den utvendige pipen. Fest pipene med 3,5 x 9,5 forniklede skruer (Bilde 3l).

- a. Innvendig pipe
- b. 3,5 x 9,5 RYSB Forniklet skruer

Etter at installasjonen av ventilatoren er fullført, bør du sjekke alle tilkoblinger før du slår den på.

Fjern den beskyttende plastfilmen fra produktet.

Stille inn avtrekksmodus for kjøkkenviften

I avtrekksmodus sendes luft ut av bygningen gjennom et spesielt rør. Ved bruk av denne innstillingen skal alle karbonfiltre fjernes. Kjøkkenviften skal kobles til åpningen hvor luften sendes ut av bygningen, ved bruk av et fast eller bevegelig rør med en diameter på 120 mm. Røret må kjøpes hos en forhandler av installasjonsmaterialer.

Du må bruke en kvalifisert montør til å utføre dette arbeidet.

Stille inn luktabsorbasjonsmodus for kjøkkenviften

I denne modusen vil filtrert luft sendes tilbake i rommet via åpningene foran på viften. Det må monteres et karbonfilter når denne modusen skal brukes. Vi anbefaler at du installerer en luftguide (avhengig av modell).

Bruk kontrollpanelet til å styre kjøkkenviften (Fig. 4)

Apparatet har tre ventilasjonstrinn. Avhengig av mengden damp som avgis ved koking eller steking, kan du bruke ventilatoren på lav, middels eller høy hastighet. Knappene på frontpanelet brukes til å slå apparatet av eller på.

Det anbefales å kjøre ventilatoren sammen med komfyren slik at en positiv sirkulasjon kan dannes. Dette vil ha en positiv virkning på avtrekkseffektiviteten. Hold viften i gang en tid etter avsluttet steking/koking for å sikre effektivt avtrekk av damp og lukt.

Belysning

Apparatet har to lamper og en bryter for å slå lyset av og på. Trykk på lampeknappen for å slå lampen av eller på.

Vedlikehold

Regelmessig vedlikehold og rengjøring av kjøkkenviften vil sørge for feilfri bruk og forlenget levetid for produktet. Pass på å skifte ut fett- og karbonfiltrene i henhold til instruksjonene.

Fettfilter i aluminium

Rengjøring

Under normal bruk skal aluminiumsfilteret rengjøres hver måned i oppvaskmaskin eller for hånd, ved bruk av et mildt rengjøringsmiddel eller flytende såpe.

Skite ut aluminiumsfilteret:

Ta ut fettfilteret i aluminium slik vist i Figur 5.

Det brukes akrylfilter i enkelte modeller. Filteret bør skiftes ut minst annenhver måned eller oftere dersom kjøkkenviften brukes intensivt.

Kullfilter (kun på resirkuleringsmodeller)

Bruk - Kullfiltre kan kun brukes når kjøkkenviften ikke er koblet til en ventilasjonskanal. Filtre med aktivt kull kan absorbere matlukt til de er mettede. De kan ikke vaskes eller brukes på nytt, og de bør skiftes ut minst annenhver måned eller oftere dersom viften brukes svært intensivt.

Skifte ut kullfilteret:

Ta ut kullfilteret slik vist i Figur 6.

Lampe

Se Figur 7 for informasjon om hvordan du skifter pære i lampen. Skift ut pærene med samme type og spesifikasjoner (glødepære/halogen/LED-moduler) som var installert i kjøkkenviften da du tok den.

Rengjøring

Normal rengjøring av kjøkkenviften:

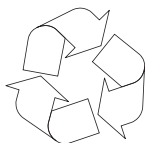
- Ikke bruk en våt klut, svamp eller kraftig vannstråle.
- Ikke bruk løsemidler eller alkoholbasert rengjøringsmiddel, da dette vil gjøre den lakerte overflaten matt.
- Ikke bruk etsende midler, spesielt ved rengjøring av rustfritt stål.
- Ikke bruk skurekluter som kan lage riper.

Vi anbefaler at du bruker en fuktig klut med et nøytralt rengjøringsmiddel.

Aluminiumfiltre kan vaskes i oppvaskmaskin. Fargen på aluminiumfiltre kan endre seg etter flere vask. Dette er normalt, og det er ikke nødvendig å skifte ut misfargede filtre.



RESIRKULERE EMBALLASJEN



Emballasjen vår er laget av miljøvennlige materialer som kan gjenvinnes:

- Ekstern emballasjen av papp/folie
- Polystyrendeler (PS) frie for klorfluorkarbon
- Polyetylen (PE)-folier og poser

DEPONERING AV PRODUKTET



Hvis produktet ikke lenger skal brukes, må du kutte kablen før det kastes.

Vi anbefaler også at apparatet lukkes eller gøres ubrukelig, slik at det ikke kan

være til skade for barn ved oppbevaring før det kastes. Dette produktet er merket med et utkrysset søppelbøttesymbol i samsvar med det europeiske direktivet 2002/96/EC. Dette symbolet betyr at produktet ikke skal kastes



sammen med vanlig husholdningsavfall når det ikke lenger er i bruk. Du må levere inn apparatet på din lokale avfallsplass som er autorisert av de lokale myndighetene. Lokale avfallsplasser, innleveringssteder, butikker og kommunale gjenvinningsstasjoner er egnede steder for innlevering og deponering av produktet.

Det er ytterst viktig av bruke elektriske og elektroniske apparater og annet farlige materiale det inneholder innleveres på riktig måte for å beskytte nærmiljøet. Du må derfor overholde disse forholdsreglene når du kaster slike produkter.

NO

Produsenterklæring

Produsenten erklærer herved at produktet oppfyller kravene i følgende europeiske direktiver:

- Lavspenningsdirektiv **2006/95/EØF**,
- Direktiv for elektromagnetisk kompatibilitet (EMC) **2004/108/EC**,
- *ErP Directive* **2009/125/EC**

og er derfor merket med **CE** symbolet og har fått utstedt en samsvarserklæring som er gjort tilgjengelig for marknadsregulatorene.

NO:
Gram A/S
Tel.: 22 07 26 30
www.gram.no

SE:
Gram A/S
Tel.: 040 38 08 40
www.gram.se

FI:
Gram A/S
Tel.: 020 7756 350
www.gram.fi



Gram A/S
Gejlhavegård 2B
DK-6000 Kolding
+45 73 20 10 00
www.gram.dk